

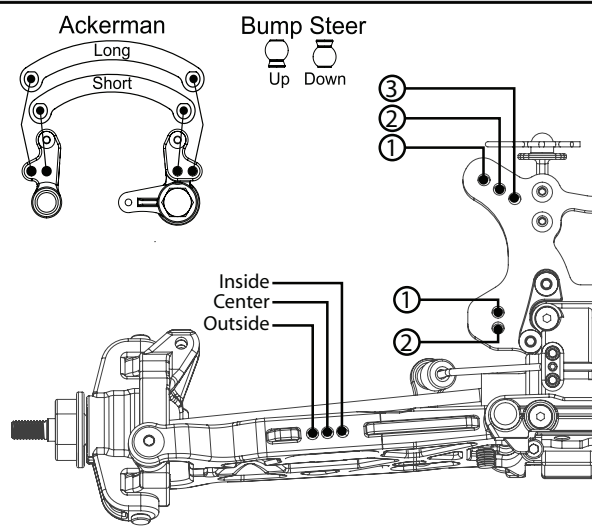
Name: \_\_\_\_\_ Date: \_\_\_\_\_ Event: \_\_\_\_\_

City: \_\_\_\_\_ State: \_\_\_\_\_ Track: \_\_\_\_\_

Track  Indoor  Tight  Smooth  Hard Packed  Blue Groove  Wet  Low Bite  High Bite  
 Conditions  Outdoor  Open  Rough  Loose/Loamy  Dry  Dusty  Med Bite  Other \_\_\_\_\_

### Front Suspension

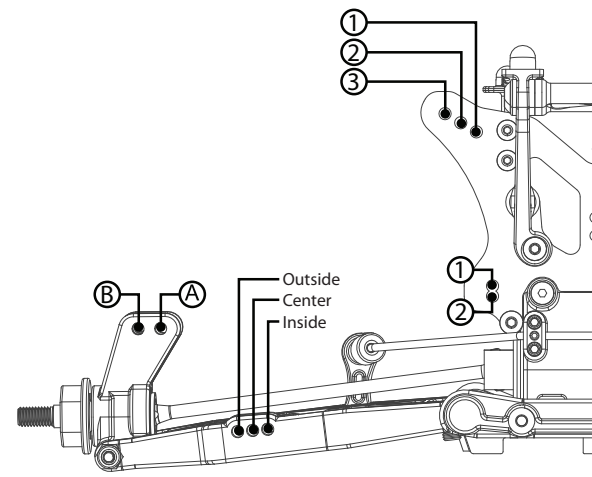
Toe: \_\_\_\_\_  
 Ride Height: \_\_\_\_\_  
 Camber: \_\_\_\_\_  
 Caster: \_\_\_\_\_  
 Sway Bar: \_\_\_\_\_  
 Piston/Oil: \_\_\_\_\_  
 Spring: \_\_\_\_\_  
 Limiter/Droop: \_\_\_\_\_  
 Overall Shock Length: \_\_\_\_\_  
 Steering Ackerman: \_\_\_\_\_  
 Bump Steer: \_\_\_\_\_  
 Camber Link: \_\_\_\_\_  
 Shock Location: \_\_\_\_\_  
 Front Diff Fluid: \_\_\_\_\_  
  
 Center Diff Fluid: \_\_\_\_\_



Notes: \_\_\_\_\_  
 \_\_\_\_\_  
 \_\_\_\_\_

### Rear Suspension

Toe: \_\_\_\_\_  
 Anti-Squat: \_\_\_\_\_  
 Ride Height: \_\_\_\_\_  
 Camber: \_\_\_\_\_  
 Rear Hub Spacing: \_\_\_\_\_  
 Sway Bar: \_\_\_\_\_  
 Piston/Oil: \_\_\_\_\_  
 Spring: \_\_\_\_\_  
 Limiter/Droop: \_\_\_\_\_  
 Overall Shock Length: \_\_\_\_\_  
 Camber Link: \_\_\_\_\_  
 Shock Location: \_\_\_\_\_  
 Rear Diff Fluid: \_\_\_\_\_



Notes: \_\_\_\_\_  
 \_\_\_\_\_  
 \_\_\_\_\_

### Other

Engine: \_\_\_\_\_  
 Fuel: \_\_\_\_\_  
 Battery: \_\_\_\_\_ Gearing: \_\_\_\_\_

### Notes

\_\_\_\_\_  
 \_\_\_\_\_  
 \_\_\_\_\_  
 \_\_\_\_\_